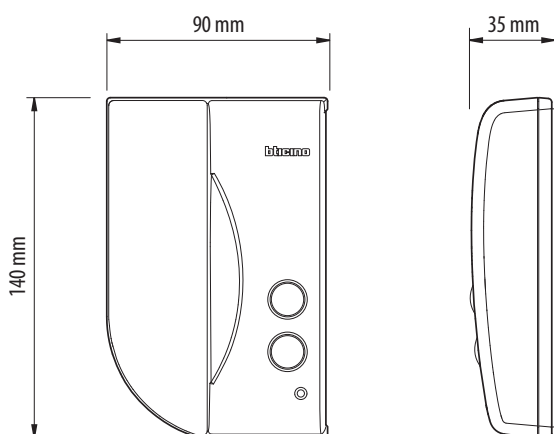


**Description**

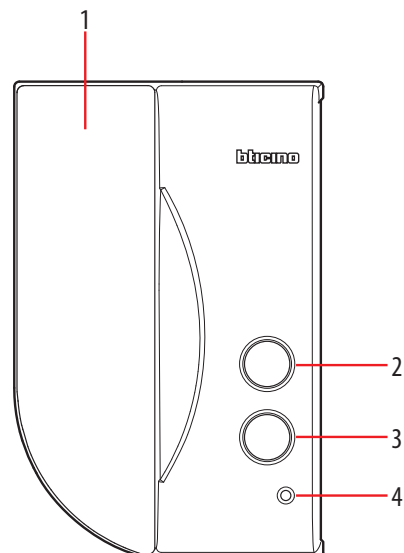
D45 System indoor traditional audio handset equipped with door lock pushbutton. Surge protection. Compact size and low power consumption. An external SOS switch can be connected. Wall mount installation.

**Technical data**

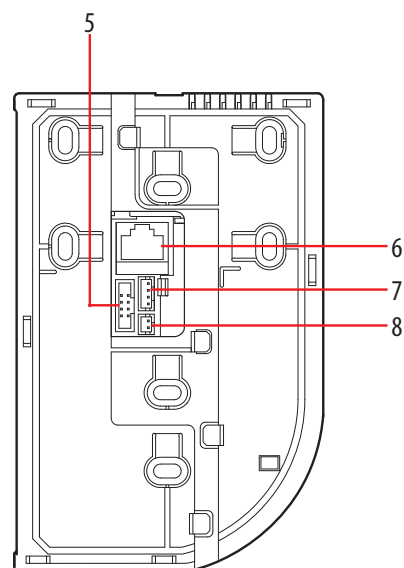
Power supply :	30 Vdc
Stand by absorption:	≤ 30 mA @ 30 V
Max. operating absorption:	≤ 70 mA @ 30 V
Operating temperature:	(-10)-(+40)°C

**Dimensional data**

Front view



Rear view

**Legend**

1. Handset
2. Door lock activation key
3. Call to switchboard key
4. Communication status LED
5. Serial interface connector
6. RJ45 system BUS connector
7. Analogue small entrance panel connector
8. External SOS alarm switch connector

**Configuration****How to enter in installation setup status:**

with the handset in stand-by, long press the door lock release pushbutton until a long beep is heard. Connection status LED must be off.

**Set installation parameters - Room number (FFII):**

FUNCTIONS	OPERATION	REMARKS
Enter the room number setup submenu	While in the initial installation setup status press and hold down the switchboard pushbutton once to enter the household number setup submenu. Note: the first number to set after entering the submenu is the thousand position.	Household number range is 101-9999. Default number is 101. The two numbers after 101 cannot be higher than the number of households per floor.
Set the parameter	Press the switchboard pushbutton to add 1 unit to the relevant position. If the pushbutton is pressed after the input parameter has reached 10, 3 short beeps will indicate wrong operation and the device will exit the household number setup submenu automatically and return to the initial installation setup status.	
Select the setting and exit the setup submenu	Press the door lock release pushbutton to move to next setting position, the order is: thousands, hundreds, tens and units. Note: 1) If no number is entered in a position, the default 0 will apply. 2) After setting the units position press the door lock release key to exit household number setup and return to the initial installation setup status. If the household number is set correctly, a long beep will be heard when exiting the menu, and the number will be saved; otherwise, 3 short beeps will be heard and the number will be not saved	
Exit	1) Press the door lock release pushbutton to move to the last item. Press the door lock release pushbutton again to exit household number setup and return to the initial installation setup status. 2) If the operation is performed wrongly, 3 short beeps will be heard the unit will automatically return to the initial installation setup status.	

**Example 1:**

If the room number must be set to 403, then the relative parameter should be:

0 for thousands, 4 for hundreds, 0 for tens and 3 for units.

While in the initial installation setup status press and hold down the switchboard pushbutton once to enter the household number setup submenu.

The current position is thousands. Since the parameter for thousands is 0, press the door lock release pushbutton to move to the hundreds position.

The parameter for the hundreds is 4, press the switchboard pushbutton 4 times, then press door lock release pushbutton to move to the tens. Since the parameter for tens is 0, there no need to press the switchboard pushbutton, just press the door lock release pushbutton to move to the units. Since the parameter for the units is 3, press the switchboard pushbutton 3 times. Then press the door lock release key to return to the initial installation setup status and check at the same time if the settings entered are correct. If they are correct, 1 long beep will be heard. Otherwise 3 short beeps will be heard. Once in the initial installation setup status press and hold the door lock release pushbutton to exit setup status and return to standby status.

## Set maximum apartments quantity per floor in a riser (#1 #1)

FUNCTIONS	OPERATION	REMARKS
Enter setup submenu for number of households per floor	While in the initial installation setup status, press and hold the switchboard pushbutton twice to enter the setup submenu for the apartments quantity per floor. Note: the first number to set after entering the submenu is the tens position.	The number of households per floor cannot be less than the household number. the range is 1-99. The default number is 4.
Set the parameter	Press the switchboard pushbutton to add 1 unit to the relevant position. If the pushbutton is pressed after the input parameter has reached 10, 3 short beeps will indicate wrong operation and the device will exit the apartments quantity setup submenu automatically and return to the initial installation setup status.	
Select setting item and exit the submenu	Press the door lock release pushbutton to move to the next setting position, the order is: tens- units-exit current setting item, back to initial installation setup status. After moving to that position, the parameter of that position will be 0. Before exiting, please check if the setting parameter is correct. If correct, a long beep will be heard and the set parameter will be saved. Otherwise, 3 short beeps will be heard and the parameter will not be saved.	
Exit	1) Press the door lock release pushbutton to move to the last item. Press the door lock release pushbutton again to exit the current submenu and return to the initial installation setup status. 2) If the operation is performed wrongly, 3 short beeps will be heard the unit will automatically return to the initial installation setup status.	

## Set external SOS contact to be NO/NC

FUNCTIONS	OPERATION	REMARKS
Select the setup submenu for SOS NO/NC	While in the initial installation setup status, press and hold the switchboard pushbutton five times to enter the setup submenu for SOS NO/NC. Read the current parameter. If it's NO, the parameter is 1 and the message light will be on. If it's NC, the parameter is 0 and the message light will be off.	Default: always on
Set the parameter	Press the call to the switchboard pushbutton to increase the parameter by 1. The parameter will return to 0 after it reaches to 2. When parameter is 1, SOS is NO type, and the message light is also on. When parameter is 0, SOS is NC type, and message light is also off. During setup the parameter will be saved automatically.	
Exit	1) Press the door lock release pushbutton to exit the current submenu and return to the initial installation setup status. 2) If the operation is performed wrongly, 3 short beeps will be heard the unit will automatically return to the initial installation setup status.	

**Example 2:**

Once in the initial installation setup status press and hold call to the switchboard 5 times. If SOS status is the default parameter, the message light will be ON, which means the SOS is always ON. Press the switchboard pushbutton once, message light will go OFF, which means SOS will be always OFF. Press the switchboard pushbutton once, message light will go ON, which means SOS will be always ON. Other operation may be deducted by analogy. Finally, press the door lock release pushbutton to exit the initial installation setup status. Once in the initial installation setup status press and hold the door lock release pushbutton to exit the installation setup status and return to standby status.

Set MASTER/SLAVE indoor handset:

FUNCTIONS	OPERATION	REMARKS
Select the "Set master and slave handsets" setup submenu	While in the initial installation setup status, press and hold the switchboard pushbutton 8 times to enter the setup submenu "Set master and slave handsets" Read the current parameter. For master handsets the parameter is 1 and the message light will be on. For slave handsets the parameter is 0 and the message light will be off.	Note: only one master handset per household number is allowed. All the other handsets should be set to slave. Default: slave handset
Set the parameters	Press the switchboard pushbutton to increase the parameter by 1. The parameter will return to 0 after it reaches to 2. When parameter is 1, the handset is a slave handset, and the message light is on. When the parameter is 0, the handset is a master handset and the message light will be off. During setup the parameter will be saved automatically.	
Exit	1) Press the door lock release pushbutton to exit the current submenu and return to the initial installation setup status. 2) If the operation is performed wrongly, 3 short beeps will be heard the unit will automatically return to the initial installation setup status.	

To install doorbell function the two steps below need to be completed:

1. Connect SMALL EP connections R2 and R3 to the doorbell switch.
2. Before using doorbell function, the setup procedure must be completed.

FUNCTIONS	OPERATION	REMARKS
Select setup submenu for the doorbell function	While in the initial installation setup status, press and hold the switchboard pushbutton six times to enter the setup submenu for enabling the doorbell function. Read the current parameter. If it's enabled, the parameter is 1 and the message light will be on. If it's disabled, the parameter is 0 and the message light will be off.	Default: disabled. This apply to the Small EP function and not to the doorbell function.
Set the parameter	Press the switchboard pushbutton to increase the parameter by 1. The parameter will return to 0 after it reaches to 2. When parameter is 1, the handset able to use the doorbell function, and the message light is on. When the parameter is 0, the handset is unable to use the doorbell function, and the message light is off. During setup the parameter will be saved automatically.	
Exit	1) Press the door lock release pushbutton to exit the current submenu and return to the initial installation setup status. 2) If the operation is performed wrongly, 3 short beeps will be heard the unit will automatically return to the initial installation setup status.	

FUNCTIONS	OPERATION	REMARKS
Select setup submenu for enabling connection to item 323009	While in initial installation setup status, press and hold the switchboard pushbutton three times to enter the setup submenu for enabling connection to item 323009. Read the current parameter. If it's enabled, the parameter is 1 and the message light will be on. If it's disabled, the parameter is 0 and the message light will be off.	Default: disable. this means that the handset is not set to connect to item 323009
Set the parameter	Press the switchboard pushbutton to increase the parameter by 1. The parameter will return to 0 after it reaches to 2. When parameter is 1, the handset is set to connect to the apartment interface, and the message light is on. When parameter is 0, the handset is not set to connect to the apartment interface, and the message light is off. During setup the parameter will be saved automatically.	
Exit	1) Press the door lock release pushbutton to exit the current submenu and return to the initial installation setup status. 2) If the operation is performed wrongly, 3 short beeps will be heard the unit will automatically return to the initial installation setup status.	

**Note:** The handset can communicate with the 323009 device when powered up or set to do so. Based on the communication result, the handset can change the setting parameter. If the handset is to be connected to item 323009, then the handset number will be changed to 101 automatically.

Recovering all the default parameters:

FUNCTIONS	OPERATION	REMARKS
Select setup submenu of "recover all the default parameters"	While in the initial installation setup status, press and hold the switchboard pushbutton nine times to enter the setup submenu "recover all the default parameters".	Default: disable. this means that the handset is not set to connect to the apartment interface
Set the parameter	Press the switchboard pushbutton to recover all the installation setup parameters. The message light will be on.	
Exit	1) Press the door lock release pushbutton to exit the current submenu and return to the initial installation setup status. 2) If the operation is performed wrongly, 3 short beeps will be heard the unit will automatically return to the initial installation setup status.	

**Exit installation setting:**

Press and hold the door lock release pushbutton until 1 long beep is heard. Release to exit setup status. If while in setup status no operation is performed for 10 s, the handset will automatically return to standby.