

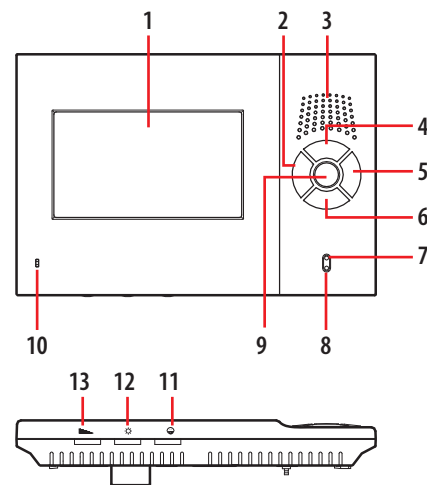
Description

Hands-free colour internal unit with 4.3" TFT LED back lit screen, equipped for standard video door entry functions plus direct call to the switchboard and entrance panel camera activation Wallmounting.

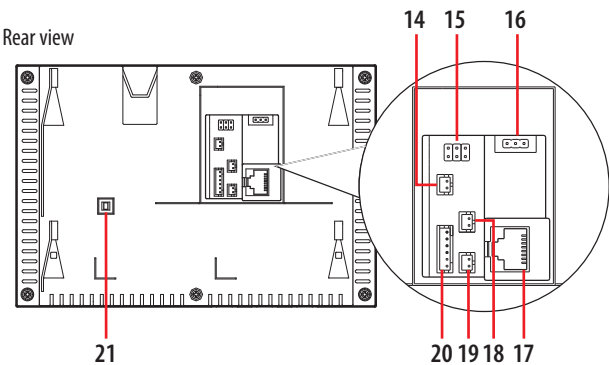
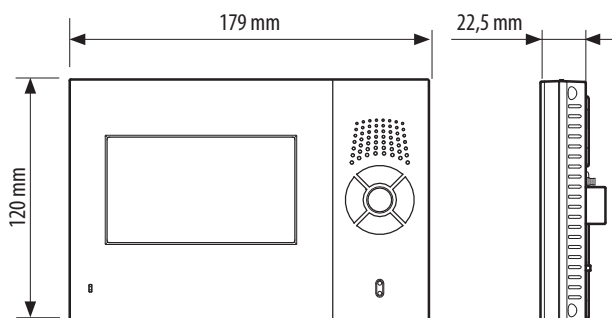
Technical data

Voltage	18 Vdc - 30 V
Stand-by current absorption	≤ 13 mA (30 V)
Operating current absorption	≤ 90 mA (30 V)
Monitor resolution:	480 x 272 dpi

Side and below view



Rear view

**Dimensional data****Legend**

1. Display screen
2. Unlock key
3. Loudspeaker
4. Management center key / Message key
5. Hands-free talk key and One-stroke Guard key
6. Monitor key / Internal call key
7. Communication LED
8. Information / Alarm LED
9. Set-up key and Enter Key
10. Microphone
11. Contrast control knob
12. Brightness control knob
13. Sound control knob
14. Alarm sensor anti-removal switch
15. Download connector
16. Master and slave pin
17. Bus connector
18. Doorbell switch connector
19. SOS alarm connector
20. Sensor connector
21. Anti-removal switch

Configuration

Intercom

1.1 Internal unit calls management center:

In stand-by status, press the "☰/☒ management center key" and wait for the answer. Press the "☎/☎ answer key" to end the call.

1.2 Internal unit calls other internal units:

In stand-by status, press and hold the "☎/☎ monitor key" (1.5 – 2.5 s) and wait for the answer. Press the "☎/☎ answer key" to end the call.

1. Configuration setting

2.1 Pushbutton function

Inside the set-up menu the keys have the following functions:

☎/☎ "Hands-free talk key and One-stroke Guard key":

set the Internal unit address thousands value **F**FII
set the Guard alarm password thousands value **X**XX

☰/☒ "Management center key / Message key":

set the Internal unit address hundreds value **F**FII
set the Guard alarm password hundreds value **X**XX

☎/☎ "Monitor key / Internal call":

set the internal unit address tens value **F**FI
set the number or apartment tens value **#**#
set the Guard alarm password tens value **X**X

☰ "Unlock Key":

sets the Internal unit address units value **F**FI
sets the number of apartments units value **#**#
sets the Guard alarm password units value **X**X

The value is set by the number of presses. Each time the pushbutton is pressed the number increases sequentially and the input range is 0-9 (i.e. no press=0, 8 presses=8)

☎/☎ "Setup key and Enter key":

confirmation of single user setting

If the digit setting is not confirmed by pressing the "☎/☎ Setup key and Enter key", it is reset to zero.

If digit setting is more than 9, it is reset to more than 9, it is reset to zero

E.g: to set address 2014

Press the "☎/☎ Hands-free talk key and One-stroke Guard key" twice 2014
Do not press the "☰/☒ Management center key / Message key" 2014
Press the "☎/☎ Monitor key / Internal call" once 2014
Press the "☰ Unlock Key" four times 2014
Press the "☎/☎ setup key and Enter key" once to confirm 2014

Acoustic feedback:

1 Long beep: successful operation

3 Short beep: aborted operation

2.2 Setup menu

2.2.1 Installation setup

- Enter the setup menu: in stand-by and alarm disabled status, press and hold the "☰ Unlock key", then input password 1010 or 6868 and press the "☎/☎ Setup key and Enter key".

2.2.1.1 Set room number:

- Enter the set room number menu using code 11 (press the "☎/☎ Monitor key / Internal call" once and the "☰ Unlock Key" once)

- Confirm (press the "☎/☎ Setup key and Enter key" once)

- Set the room number (FFII) by pressing the pushbutton and confirm ("☎/☎ Setup key and Enter key" once).

2.2.1.2 Set number of apartments per floor:

- Enter the set room number menu using code 12 (press the "☎/☎ Monitor key / Internal call" + once and the "☰ Unlock Key" twice)

- Confirm (press the "☎/☎ Setup key and Enter key" once)

- Set the number of apartments (##) by pressing the pushbutton and confirm (press the Setup key and Enter key" once).

2.2.2 End-user setup

- Enter the setup menu: in stand-by status, press and hold the "☎/☎ Setup key and Enter key"

- Set password: by using pushbuttons (default is 2000)

- Confirmation of single user setting: press the "☎/☎ Setup key and Enter key" once

- Confirm and quit the setup menu: press and hold the "☎/☎ Setup key and Enter key"

2.3 Modifying the password:

- Enter the setup menu (press and hold the "☎/☎ Setup key and Enter key"), then input password 2000 to enter the setup installation menu after a long beep.

- Input 99 (press the "☎/☎ Monitor key / Internal call" nine times and the "☰ Unlock Key" nine times)

- Confirm (press the "☎/☎ Setup key and Enter key" once)

- Wait for a long sound and input a new four-digit password

- Re-input the four-digit password to confirm

- Long sound: the change of password was successful

- Three short sounds: the change of password was not successful.

2.3.1 Recovering the default password:

- Press and hold the "☎/☎ Setup key" and "☰ Unlock Key", simultaneously until a long sound is heard. The default password (2000) is recovered.

- The Internal Unit will warn the management centre.

2. Alarm function and operation: alarms include the emergency (SOS) alarm, anti-detaching alarm and 4-zone guard alarm.

3.1 Emergency alarm (SOS): press an external SOS alarm switch or a "☎/☎ Hands-free talk key and One-stroke Guard key" on the internal unit.

3.2 Anti-detaching alarm: if the internal unit is removed or the anti-detaching interface is activated, the internal unit automatically informs the management centre.

3.3 Enable the guard alarm:

- Press and hold the "☎/☎ Hands-free talk key and One-stroke Guard key" until a long tone is heard.

- Insert the password (default 2000) by means of the pushbutton.

- Confirm (press the "☎/☎ Setup key and Enter key" once)

Note: Guard zones 1 and 2 are theft alarm guard zones and guard zones 3 and 4 are fire alarm guard zones.

3. Alarm function and operation specification

4.1 Enable the defence area

4.1.1 Enabled by the "☎/☎ shortcut key: in stand-by status, press "☎/☎ Setup key until a long tone is heard, input the correct password (the password is 2000, press "☎/☎ Thousands" twice) , then press "☎/☎ OK". The internal unit enters the main setup menu after a long tone is heard; if any defence areas are enabled, press the "☎/☎ shortcut key" to enable all the defence areas which are connected to the alarm sensors. Mean while the enabled defence area "☎/☎ LED" will be ON and flash once. A long tone will be heard if all the defence areas have been enabled. Otherwise, 3 short tones will be heard.

Configuration

Example: the Internal Unit can connect up to 4 defence areas, but in fact, if just defence areas 1, 2, 3 have the alarm sensor connected then just defence areas 1, 2, 3 can be set by the “/” shortcut key”: if defence areas 1, 2, 3 are all enabled, a long tone will be heard, if just defence areas 1 and 3, are enabled, but defence area 2 is disabled, 3 short tones will be heard. The alarm sensor is in the alarm status because of the failure to enable the defence areas (the detail shown in 3.1.3).

4.1.2 Enable defence area 1: in stand-by status, press the “/OK Setup” key until a long tone is heard, input the correct password (the password is 2000, press “/” Thousands” twice), then press “/OK OK”, the internal unit enters the main setup menu after a long tone is heard, then press “ SOS” (Ones digit) input number “1”, press the “/OK OK” key to enter the defence submenu setting and press “ SOS” to change the sensor detective mode (A Logic Electrical Level for Sensor testing mode. High: Sensor connected and Low: not connected and vice-versa). In enabled defence area status, with the enabled defence area “/LED” ON (red), disabled defence area status LED OFF, press the “/OK OK” key to finish. If the operation is successful, a long tone will be heard. If the defence area is not enabled, 3 short tones will be heard. If the setting has failed please check the connection. (The reason for failure is shown in 3.1.3 - Annotations).

4.1.3 Defence area 2, 3 and 4 can be enabled in a similar operation.

Notes:

(1) The reason why the defence area cannot be enabled: if the alarm sensor is in alarm status, the defence cannot be enabled. E.g.: when the internal unit checks the door magnetic alarm sensor is in alarm status, it may mean that the door or window is not properly closed. So please make sure that the door or window is closed properly. Then try to enable the defence area again.

(2) Digits Input: please read “Configuration Setting” carefully before operation. It is the second main section of SPEC.

4.2 Disable defence area

4.2.1 Disable /” shortcut key: in stand-by status, press “/” Setup” key until a long tone is heard, input the correct password (Password is 2000, press “/” Thousands place” twice), then press “/OK OK”. The internal unit enters the setup main menu after a long tone is heard; if no defence areas are enabled, press the “/” shortcut key” to disable all the thief alarm defence areas. A long tone will be heard after operation is ended.

Note: defence areas 3 and 4 (fire alarm areas) cannot be disabled by the shortcut key.

4.2.2 Disable defence area 1 by the number keyboard: at stand-by status, press the “/OK Setup” key until a long tone is heard, input the correct password (the password is 2000, press “/” Thousands” twice), then press “/OK OK”, the internal Unit enters the main setup menu after a long tone is heard. Then press “ SOS” (One digit) Input number “1” and press the “/OK OK” key to enter the defence setting submenu and press “ SOS” to change the sensor detection mode (A Logic Electrical Level for Sensors testing mode. High: Sensor connected and Low: not connected and vice-versa.), In enabled defence area status, the defence area “/LED” ON (red), disabled defence area status, LED OFF, press the “/OK OK” key to finish. If the defence area is successfully disabled, a long tone will be heard.

4.2.3 Defence area 2, 3 and 4 can be enabled in a similar operation.

4.3 Alarm Sensors entering the activated status: after the Internal Unit exits the setup status, the enabled defence area “/LED” will flash slowly after a delay (the default delay time is 100 seconds for all defence areas) and the alarm sensor will be activated. The Internal unit will not detect the alarm sensor status before the alarm sensors are activated.

4.4 Alarm indication:

4.4.1 Global testing of the sensor indication: in the status, after entering the defence status, if no alarm sensors are activated, the defence area “/LED” flashes slowly. If they are activated, the defence area “/LED” flashes quickly. Meanwhile, the fire defence area alarm is activated accompanied by an alarm sound. For other defence areas the alarm sound will not be heard if the default setup value is used.

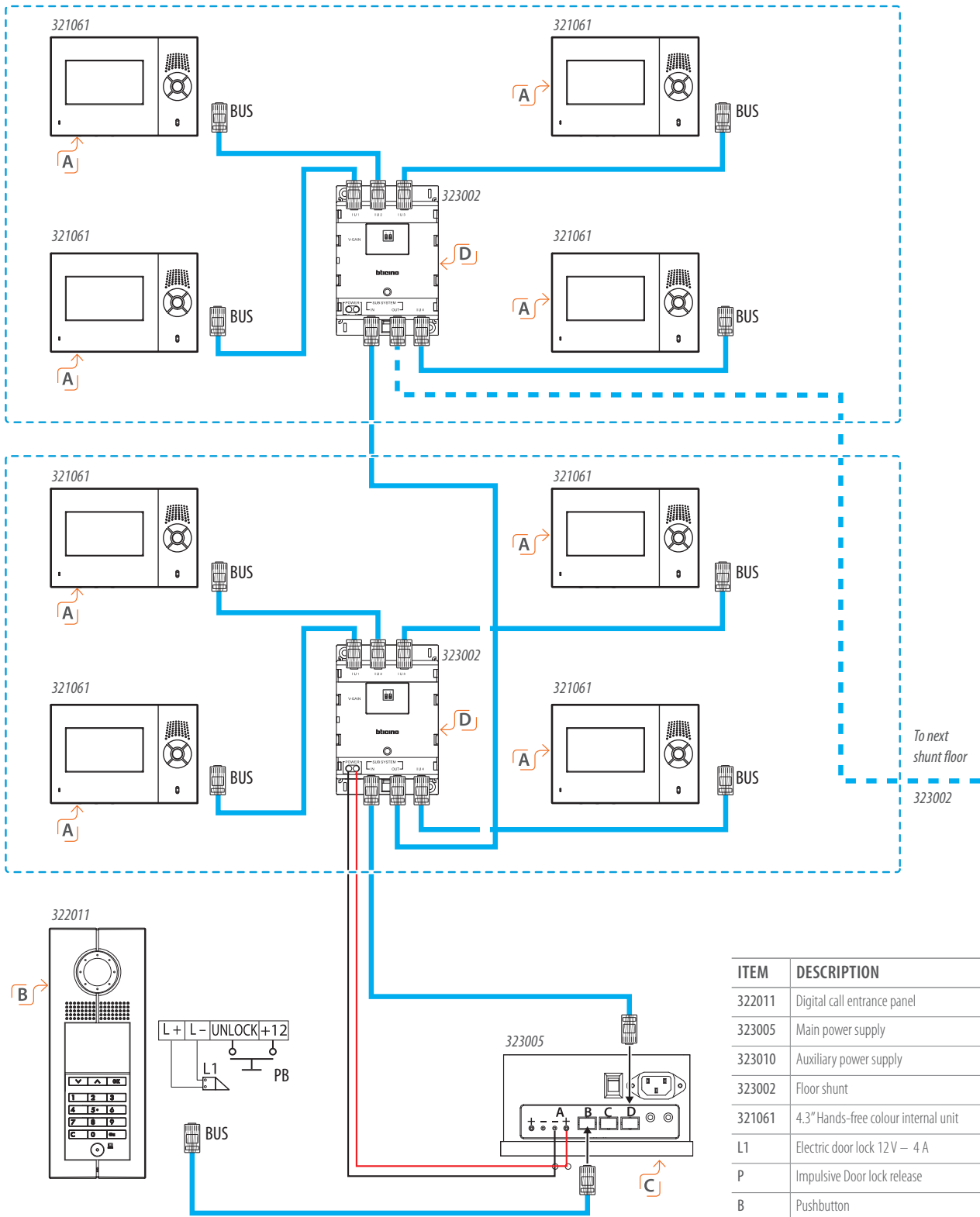
4.4.2 Single testing of the sensor indication: at stand-by status, press the “/OK Setup” key until a long tone is heard, input the correct password (the password is 2000, press “/” Thousands” twice), then press “/OK OK”, the internal Unit enters the main menu setting after a long tone is heard, then press “ SOS” (One digit) input number “1” and “/OK OK” key to enter the defence setting submenu to check the alarm status. In enabled defence area status, the defence Area “/LED” ON (red) means the defence area status is enabled, OFF means the defence area status is disabled and fast flashing means there is an alarm. Meanwhile, the defence areas can be enabled or disabled. Press “/OK OK” to return to the previous menu.

Note: Defence area 2, 3 and 4 can be enabled in a similar operation.

4.4.3 Alarm condition reporting and disabled defence areas:

If the defence area is not disabled within the set-time of 40 seconds when the alarm was given then the internal unit will send the alarm information messages to the Management Center. During the time the alarm is given, if you need to disable the defence areas refer to section 3.3.2 for setting the disabled defence areas. If the alarm defence areas are disabled within the set-time of 40 seconds no alarm messages will be sent to the management center.

Wiring diagram



WARNING

S: Configure and insert the jumpers with the system SWITCHED OFF. Also every time the configuration is modified the pws must be switched OFF and ON again, waiting about 1 minute.

A See next page for configuration

B To install an alternative Entrance panel, refer to the wiring variation section. Device configuration by SF2 software.

C Set the internal IMPEDANCE SWITCH to ON.

D Auxiliary PWS 323010 must be used in relation with the distance extension - see specific system section.